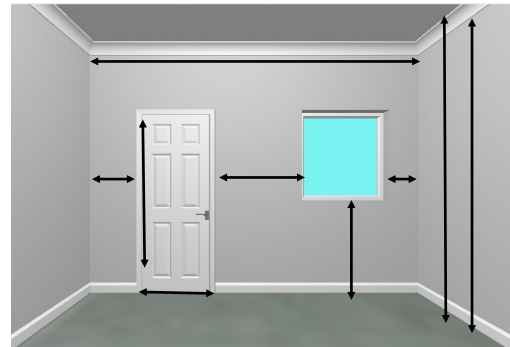
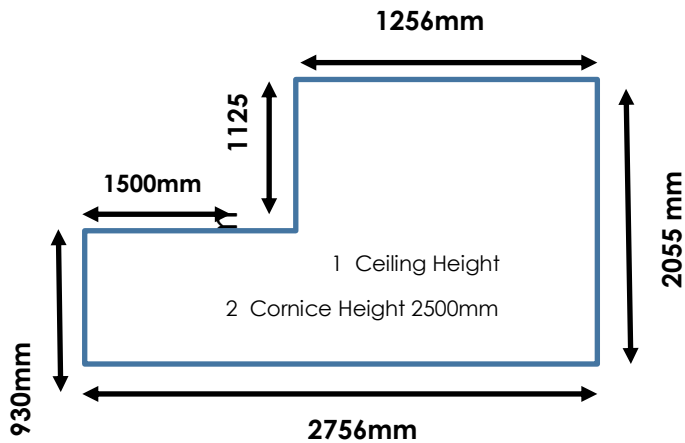


Measure Up Guide

STEP # 1

Method - Sketching out your space

- Begin with measuring the floor to ceiling as well as floor to under ceiling cornice
- The same applies to low beams in the centre or the sides of the room
- Then the distance between walls from the corners to windows and doors in mm or cm
- Measure each window and their distance from floor to ceiling to all the corners of your room ,
The same must be done with the doors



STEP # 2

- Continue by sketching all the plug points , lights , plumbing and any other electrical points—please specify if you are going to use the same existing points or if these can be moved based on new design .
- Start from the top left hand corner of your sketchpad and continue clockwise around the room until each point has been accurately measured .
- Also measure the respective distances from each corner of the walls
- For skew or uneven walls , please specify .

